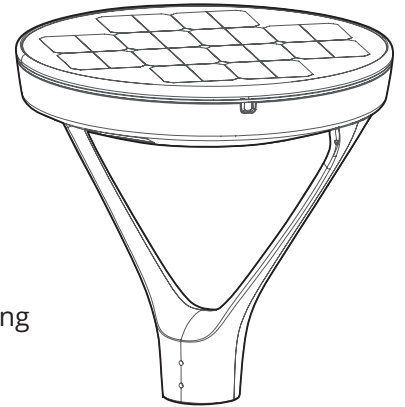


### PRIOR TO INSTALLATION

Ensure install location has a minimum of 2 to 3 hours of direct midday sun exposure for best performance. Please handle fixture with care as scratches will affect appearance and powder coat durability.

### TOOLS REQUIRED

- 5/32 inch hex key



### TO INSTALL

1. Lift product straight upwards out of packaging
2. Place luminaire assembly onto vertical tenon and tighten set screws onto tenon using one side first (2A), then the other side of the tenon (2B)
3. Press blue clasp and then open lid
4. Locate two sets of disconnected connectors and connect. Listen for an audible click
5. To close lid, release blue lock at rear hinge by lifting upwards
6. Gently lower lid until blue clasp engages

